



Float Switches

MC
MF
RF



Архангельск (8182)63-90-72
Астана (7172)727-132
Астрахань (8512)99-46-04
Барнаул (3852)73-04-60
Белгород (4722)40-23-64
Брянск (4832)59-03-52
Владивосток (423)249-28-31
Волгоград (844)278-03-48
Вологда (8172)26-41-59
Воронеж (473)204-51-73
Екатеринбург (343)384-55-89
Иваново (4932)77-34-06

Ижевск (3412)26-03-58
Иркутск (395)279-98-46
Казань (843)206-01-48
Калининград (4012)72-03-81
Калуга (4842)92-23-67
Кемерово (3842)65-04-62
Киров (8332)68-02-04
Краснодар (861)203-40-90
Красноярск (391)204-63-61
Курск (4712)77-13-04
Липецк (4742)52-20-81
Киргизия (996)312-96-26-47

Магнитогорск (3519)55-03-13
Москва (495)268-04-70
Мурманск (8152)59-64-93
Набережные Челны (8552)20-53-41
Нижний Новгород (831)429-08-12
Новокузнецк (3843)20-46-81
Новосибирск (383)227-86-73
Омск (3812)21-46-40
Орел (4862)44-53-42
Оренбург (3532)37-68-04
Пенза (8412)22-31-16
Казахстан (772)734-952-31

Пермь (342)205-81-47
Ростов-на-Дону (863)308-18-15
Рязань (4912)46-61-64
Самара (846)206-03-16
Санкт-Петербург (812)309-46-40
Саратов (845)249-38-78
Севастополь (8692)22-31-93
Симферополь (3652)67-13-56
Смоленск (4812)29-41-54
Сочи (862)225-72-31
Ставрополь (8652)20-65-13
Таджикистан (992)427-82-92-69

Сургут (3462)77-98-35
Тверь (4822)63-31-35
Томск (3822)98-41-53
Тула (4872)74-02-29
Тюмень (3452)66-21-18
Ульяновск (8422)24-23-59
Уфа (347)229-48-12
Хабаровск (4212)92-98-04
Челябинск (351)202-03-61
Череповец (8202)49-02-64
Ярославль (4852)69-52-93

<https://tsurumi.nt-rt.ru/> || tmy@nt-rt.ru

Level Sensor MC

for sensing water levels



Features

- Simple structure made of a ball float with a shock absorber wrapped around it
- Rugged construction withstanding impact from collision with the tank walls or piping
- Assures trouble-free operations in the water containing any types of suspended solids including scum-filled wastewater
- Switching on and off can be made at steadier angle than mercury type float switches
- Contacts switchable, "a" (normally-open) or "b" (normally-close), at will

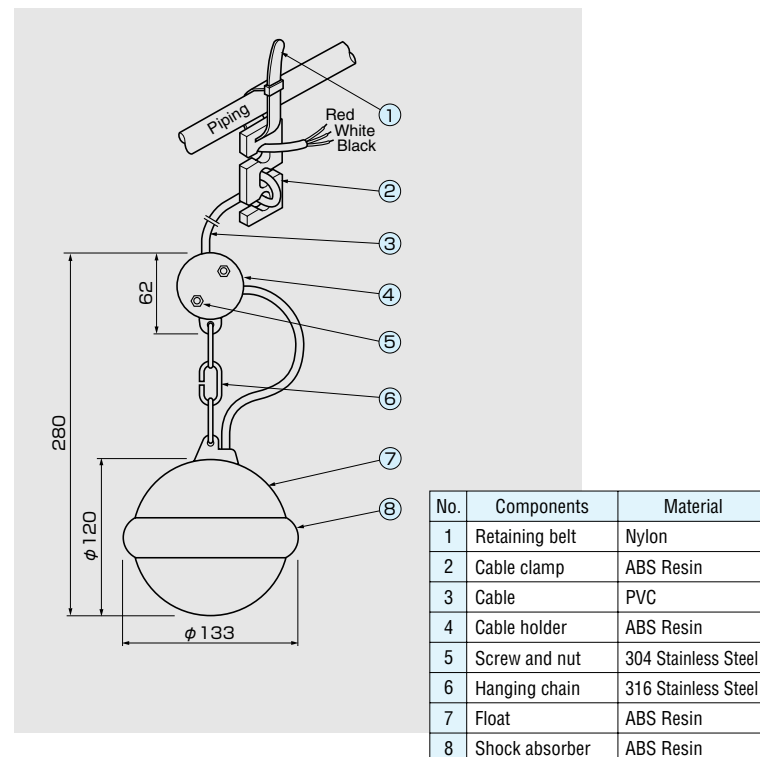
Applications

- Automatic pumping of the wastewater containing lots of scum and suspended solids
- For sensing alert water levels like high water level or lower water level

Conductor color	In the air	Submerged	Contact
Red-Black	off (open)	on (closed)	"a" (normally-open)
Red-White	on (closed)	off (open)	"b" (normally-close)

In the air		Submerged	
White B	Black A	White B	Black A

Dimensions and Structure (mm)



Standard Specifications

Model		MC-2
Electric characteristics	Breaking capacity	50VA AC
	Max. current	2A AC
	Working voltage	30V AC
Switch	Contact	c ³⁰
	Type	Microswitch
Mechanical characteristics	Proof pressure (static)	98kPa (1.0 kgf/cm ²)
	Working temperature range	0 to 50°C
Cable	Cores × area	3 × 0.75mm ²
	Outside diameter	7.6mm
	Standard length	6, 10, 15, 20, 25, 30m
Weight		1,087g (Float only)

※ Usable either at contact "a" (normally-open) or contact "b" (normally-close).

Mini-Float Sensor MF

for sensing water levels



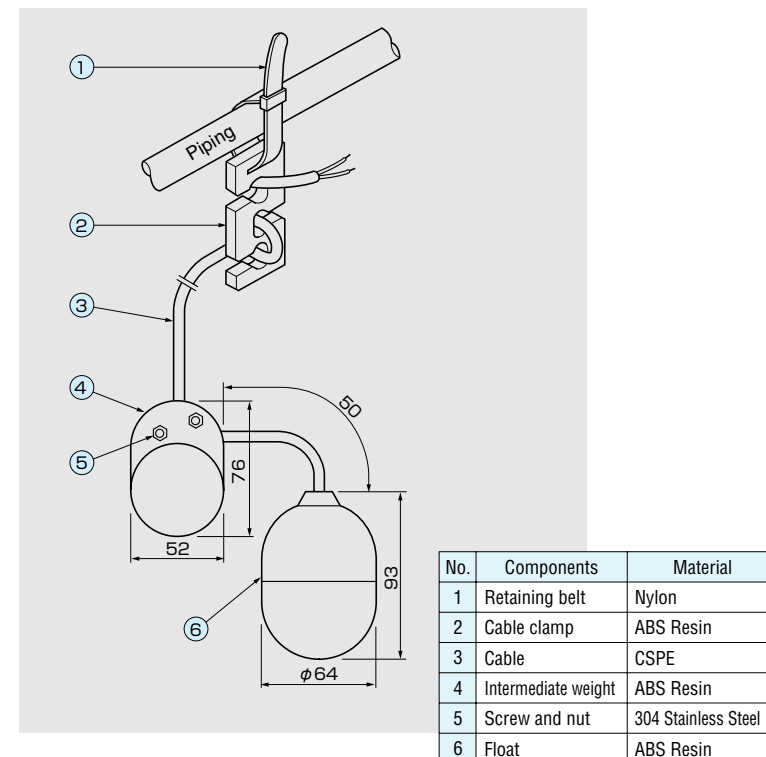
Features

- Float cut down to the smallest possible size
- Available in two types; contact "a" (normally-open) and contact "b" (normally-close)
- Ideal for a maximum/minimum water-level alert system
- Two floats usable in case the sensor is connected to the control panel for automatic pump operations

Applications

- Automatic pumping of water, wastewater, etc.
- Ideal for sensing alert water levels like high water level or lower water level

Dimensions and Structure (mm)

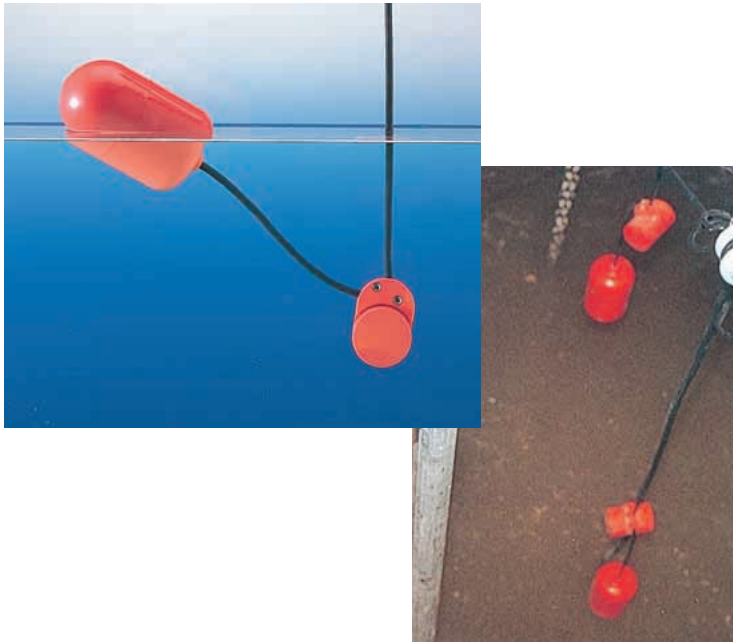


Standard Specifications

Model		MF-3	
		MF-3A	MF-3B
Electric characteristics	Breaking capacity	50VA AC	
	Max. current	2A AC	
	Working voltage	30V AC	
Switch	Contact	"a" (normally-open)	"b" (normally-close)
	Type	Microswitch	
Mechanical characteristics	Proof pressure (static)	98kPa (1.0 kgf/cm ²)	
	Working temperature range	0 to 50°C	
Cable	Cores × area	2 × 0.3mm ²	
	Outside diameter	5.3mm	
	Standard length	6, 10, 15, 20, 25, 30m	
Weight		98g (Float only)	

Snap-Action Float Sensor RF

for sensing water levels



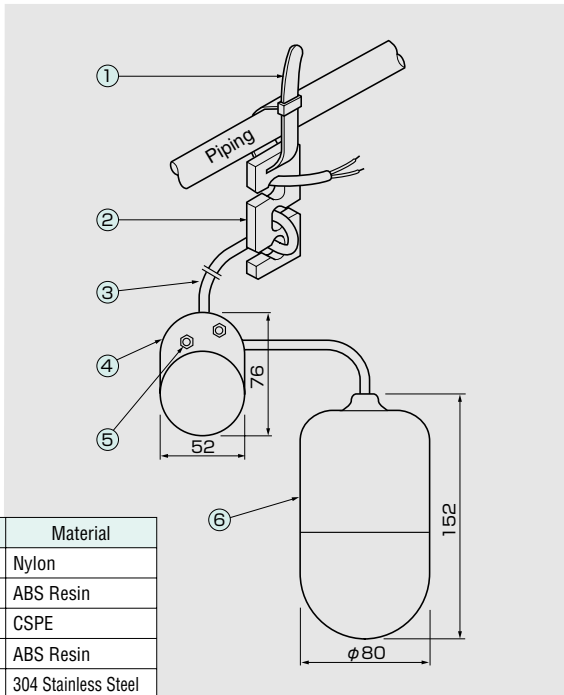
Features

- Detecting cut-in and cutout water levels with single float
- Snap on-off action ensures stable operations in clean water, wastewater or liquids containing suspended matter or oil and fat
- Hanging length readily adjustable with cable clamp

Applications

- Automatic pumping of water, wastewater, etc.
- For sensing alert water levels like high water level or lower water level

Dimensions and Structure (mm)



No.	Components	Material
1	Retaining belt	Nylon
2	Cable clamp	ABS Resin
3	Cable	CSPE
4	Intermediate weight	ABS Resin
5	Screw and nut	304 Stainless Steel
6	Float	ABS Resin

Standard Specifications

Item		Model	RF-5
Electric characteristics	Breaking capacity		50VA AC
	Max. current		2A AC
	Working voltage		30V AC
Switch	Contact		"a" (normally-open)
	Type		Microswitch
Mechanical characteristics	Proof pressure (static)		98kPa (1.0 kgf/cm ²)
	Working temperature range		0 to 50°C
Level control			Min. 400mm, Max. 3,000mm
Cable	Cores × area		2 × 0.5mm ²
	Outside diameter		6.5mm
	Standard length		6, 10, 15, 20, 25, 30m
Weight			207g (Float only)

Архангельск (8182)63-90-72
 Астана (7172)727-132
 Астрахань (8512)99-46-04
 Барнаул (3852)73-04-60
 Белгород (4722)40-23-64
 Брянск (4832)59-03-52
 Владивосток (423)249-28-31
 Волгоград (844)278-03-48
 Вологда (8172)26-41-59
 Воронеж (473)204-51-73
 Екатеринбург (343)384-55-89
 Иваново (4932)77-34-06

Ижевск (3412)26-03-58
 Иркутск (395)279-98-46
 Казань (843)206-01-48
 Калининград (4012)72-03-81
 Калуга (4842)92-23-67
 Кемерово (3842)65-04-62
 Киров (8332)68-02-04
 Краснодар (861)203-40-90
 Красноярск (391)204-63-61
 Курск (4712)77-13-04
 Липецк (4742)52-20-81
 Киргизия (996)312-96-26-47

Магнитогорск (3519)55-03-13
 Москва (495)268-04-70
 Мурманск (8152)59-64-93
 Набережные Челны (8552)20-53-41
 Нижний Новгород (831)429-08-12
 Новокузнецк (3843)20-46-81
 Новосибирск (383)227-86-73
 Омск (3812)21-46-40
 Орел (4862)44-53-42
 Оренбург (3532)37-68-04
 Пенза (8412)22-31-16
 Казахстан (772)734-952-31

Пермь (342)205-81-47
 Ростов-на-Дону (863)308-18-15
 Рязань (4912)46-61-64
 Самара (846)206-03-16
 Санкт-Петербург (812)309-46-40
 Саратов (845)249-38-78
 Севастополь (8692)22-31-93
 Симферополь (3652)67-13-56
 Смоленск (4812)29-41-54
 Сочи (862)225-72-31
 Ставрополь (8652)20-65-13
 Таджикистан (992)427-82-92-69

Сургут (3462)77-98-35
 Тверь (4822)63-31-35
 Томск (3822)98-41-53
 Тула (4872)74-02-29
 Тюмень (3452)66-21-18
 Ульяновск (8422)24-23-59
 Уфа (347)229-48-12
 Хабаровск (4212)92-98-04
 Челябинск (351)202-03-61
 Череповец (8202)49-02-64
 Ярославль (4852)69-52-93

<https://tsurumi.nt-rt.ru/> || tmy@nt-rt.ru