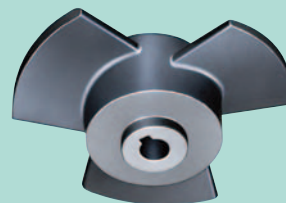


Realization of low pump head and large water volume by use of an axial-flow impeller



## Applications

- Water circulation for oxygen replenishing and water supply and drainage in fishponds.
- Irrigation of rice fields etc.
- Drainage of large water volumes with improvement work for irrigation ditches etc.
- Transport to bypass waterways
- Water supply and drainage for pools, ponds, etc.



Архангельск (8182)63-90-72  
Астана (7172)727-132  
Астрахань (8512)99-46-04  
Барнаул (3852)73-04-60  
Белгород (4722)40-23-64  
Брянск (4832)59-03-52  
Владивосток (423)249-28-31  
Волгоград (844)278-03-48  
Волгда (8172)26-41-59  
Воронеж (473)204-51-73  
Екатеринбург (343)384-55-89  
Иваново (4932)77-34-06

Ижевск (3412)26-03-58  
Иркутск (395)279-98-46  
Казань (843)206-01-48  
Калининград (4012)72-03-81  
Калуга (4842)92-23-67  
Кемерово (3842)65-04-62  
Киров (8332)68-02-04  
Краснодар (861)203-40-90  
Красноярск (391)204-63-61  
Курск (4712)77-13-04  
Липецк (4742)52-20-81  
Киргизия (996)312-96-26-47

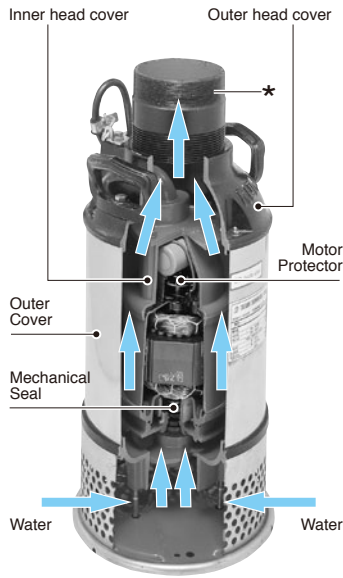
Магнитогорск (3519)55-03-13  
Москва (495)268-04-70  
Мурманск (8152)59-64-93  
Набережные Челны (8552)20-53-41  
Нижний Новгород (831)429-08-12  
Новокузнецк (3843)20-46-81  
Новосибирск (383)227-86-73  
Омск (3812)21-46-40  
Орел (4862)44-53-42  
Оренбург (3532)37-68-04  
Пенза (8412)22-31-16  
Казахстан (772)734-952-31

Пермь (342)205-81-47  
Ростов-на-Дону (863)308-18-15  
Рязань (4912)46-61-64  
Самара (846)206-03-16  
Санкт-Петербург (812)309-46-40  
Саратов (845)249-38-78  
Севастополь (8692)22-31-93  
Симферополь (3652)67-13-56  
Смоленск (4812)29-41-54  
Сочи (862)225-72-31  
Ставрополь (8652)20-65-13  
Таджикистан (992)427-82-92-69

Сургут (3462)77-98-35  
Тверь (4822)63-31-35  
Томск (3822)98-41-53  
Тула (4872)74-02-29  
Тюмень (3452)66-21-18  
Ульяновск (8422)24-23-59  
Уфа (347)229-48-12  
Хабаровск (4212)92-98-04  
Челябинск (351)202-03-61  
Череповец (8202)49-02-64  
Ярославль (4852)69-52-93

# Power-saving type providing a large discharge volume with low-head specifications.

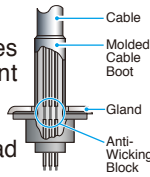
## Features



\*not supplied with pump

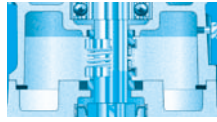
### Anti-wicking Block

Gaps between lead cores are sealed to prevent ingress of water into the motor caused by water traveling along lead cores by capillary action.



### Dual Inside Mechanical Shaft Seal

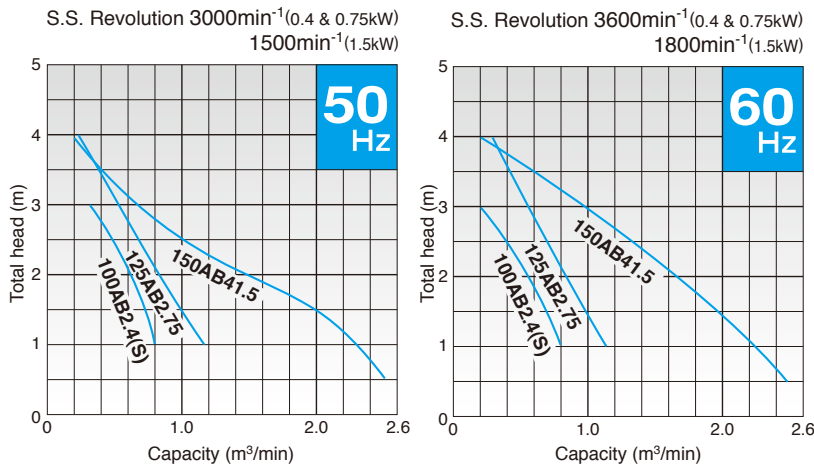
A double-face mechanical seal is located in an oil chamber and is lubricated and cooled by the oil. Unlike systems in which a mechanical seal is installed in the pump casing, the seal does not rely on lubrication by the pumped media. This eliminates premature wear or corrosion of the seal caused by lubrication of pumped media.



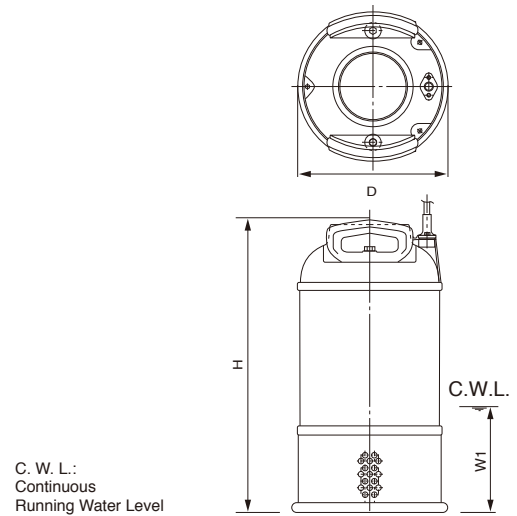
## Major Components & Specifications

Item		Discharge bore size mm		
		100	125	150
Pumping fluid	Type of fluid	River water, Agricultural water		
	Liquid temperature	0~40°C		
Pump	Components	Impeller	Axial-flow	
		Shaft seal	Double mechanical seal (with Oil Lifter - 1.5kW only)	
		Bearing	Shielded ball bearing	
	Materials	Impeller	Gray iron casting	
		Outer cover	Stainless steel #304	
		Head cover	Gray iron casting	
Casing	Gray iron casting			
Shaft seal (mechanical seal)	Top seal face: Ceramic + Carbon, Bottom seal face: Ceramic + Silicon Carbide (0.4, 0.75kW) Silicon Carbide + Silicon Carbide (1.5kW)			
Motor	Type, poles	Dry-type submersible induction motor, 2 and 4 poles		
	Insulation	Class E		
	Phase / Voltage	Single-phase /110V, 115V, 220V, 230V, 240V Three-phase /220V, 230V, 380V, 400V, 415V, 440V, 460V		
	Motor protector (Built-in)	Circle thermal protector		
	Lubricant	Liquid paraffin (ISO VG32)		
	Materials	Frame	Steel plate, Gray iron casting (1.5kW)	
		Head cover	Gray iron casting	
Shaft		Stainless steel #403		
Cable		PVC		
Discharge connection	Parallel pipe threads			

## Performance Curves



## Dimensions



C. W. L.:  
Continuous  
Running Water Level

## Model Selection

Discharge Bore (mm)	Model	Motor Output (kW)	Phase	Starting Method	Revolution 50Hz / 60Hz (min <sup>-1</sup> )	Max. Head (m)	Max. Capacity (m³/min)	Dry Weight (kg)	Cable Length (m)	Dimensions (mm)		C.W.L. (mm)
										D	H	
100	100AB2.4S	0.4	Single	Capacitor Start	3000/3600	3	0.8	18	5	250	475	180
100	100AB2.4	0.4	Three	D.O.L.	3000/3600	3	0.8	18	5	250	475	180
125	125AB2.75	0.75	Three	D.O.L.	3000/3600	4	1.1	19	5	250	475	180
150	150AB41.5	1.5	Three	D.O.L.	1500/1800	4	2.5	44	6	272	580	300

• Weights excluding cable

We reserve the right to change the specifications and designs for improvement without prior notice.

Архангельск (8182)63-90-72  
Астана (7172)727-132  
Астрахань (8512)99-46-04  
Барнаул (3852)73-04-60  
Белгород (4722)40-23-64  
Брянск (4832)59-03-52  
Владивосток (423)249-28-31  
Волгоград (844)278-03-48  
Волгод (8172)26-41-59  
Воронеж (473)204-51-73  
Екатеринбург (343)384-55-89  
Иваново (4932)77-34-06

Ижевск (3412)26-03-58  
Иркутск (395)279-98-46  
Казань (843)206-01-48  
Калининград (4012)72-03-81  
Калуга (4842)92-23-67  
Кемерово (3842)65-04-62  
Киров (8332)68-02-04  
Краснодар (861)203-40-90  
Красноярск (391)204-63-61  
Курск (4712)77-13-04  
Липецк (4742)52-20-81  
Киргизия (996)312-96-26-47

Магнитогорск (3519)55-03-13  
Москва (495)268-04-70  
Мурманск (8152)59-64-93  
Набережные Челны (8552)20-53-41  
Нижний Новгород (831)429-08-12  
Новокузнецк (3843)20-46-81  
Новосибирск (383)227-86-73  
Омск (3812)21-46-40  
Орел (4862)44-53-42  
Оренбург (3532)37-68-04  
Пенза (8412)22-31-16  
Казахстан (772)734-952-31

Пермь (342)205-81-47  
Ростов-на-Дону (863)308-18-15  
Рязань (4912)46-61-64  
Самара (846)206-03-16  
Санкт-Петербург (812)309-46-40  
Саратов (845)249-38-78  
Севастополь (8692)22-31-93  
Смоленск (4812)29-41-54  
Симферополь (3652)67-13-56  
Симферополь (4812)29-41-54  
Сочи (862)225-72-31  
Ставрополь (8652)20-65-13  
Таджикистан (992)427-82-92-69

Сургут (3462)77-98-35  
Тверь (4822)63-31-35  
Томск (3822)98-41-53  
Тула (4872)74-02-29  
Тюмень (3452)66-21-18  
Ульяновск (8422)24-23-59  
Уфа (347)229-48-12  
Хабаровск (4212)92-98-04  
Челябинск (351)202-03-61  
Череповец (8202)49-02-64  
Ярославль (4852)69-52-93

<https://tsurumi.nt-rt.ru/> || [tmy@nt-rt.ru](mailto:tmy@nt-rt.ru)