

Архангельск (8182)63-90-72
Астана (7172)727-132
Астрахань (8512)99-46-04
Барнаул (3852)73-04-60
Белгород (4722)40-23-64
Брянск (4832)59-03-52
Владивосток (423)249-28-31
Волгоград (844)278-03-48
Вологда (8172)26-41-59
Воронеж (473)204-51-73
Екатеринбург (343)384-55-89
Иваново (4932)77-34-06

Ижевск (3412)26-03-58
Иркутск (395)279-98-46
Казань (843)206-01-48
Калининград (4012)72-03-81
Калуга (4842)92-23-67
Кемерово (3842)65-04-62
Киров (8332)68-02-04
Краснодар (861)203-40-90
Красноярск (391)204-63-61
Курск (4712)77-13-04
Липецк (4742)52-20-81
Киргизия (996)312-96-26-47

Магнитогорск (3519)55-03-13
Москва (495)268-04-70
Мурманск (8152)59-64-93
Набережные Челны (8552)20-53-41
Нижний Новгород (831)429-08-12
Новокузнецк (3843)20-46-81
Новосибирск (383)227-86-73
Омск (3812)21-46-40
Орел (4862)44-53-42
Оренбург (3532)37-68-04
Пенза (8412)22-31-16
Казахстан (772)734-952-31

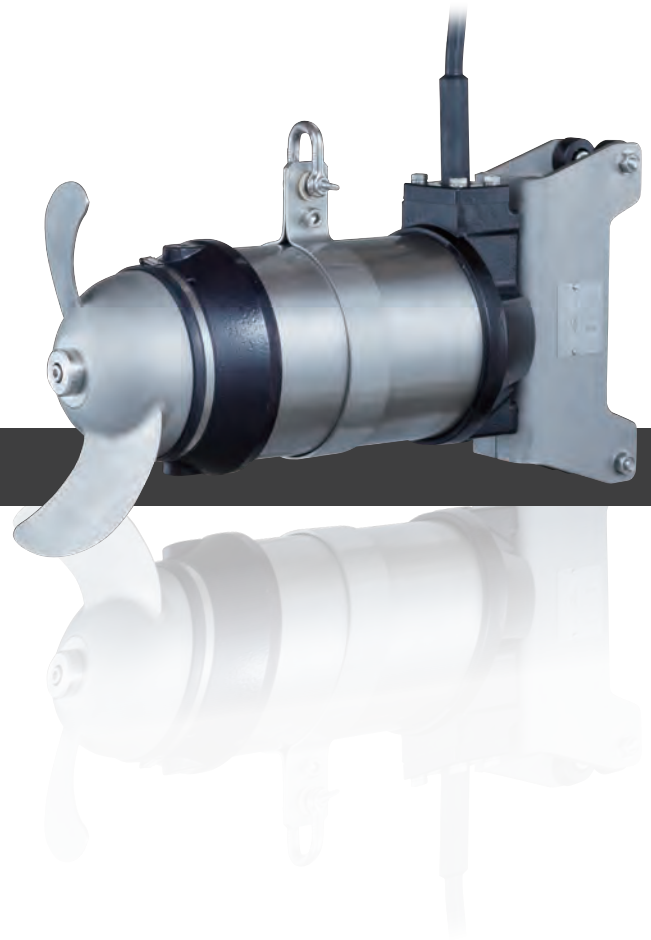
Пермь (342)205-81-47
Ростов-на-Дону (863)308-18-15
Рязань (4912)46-61-64
Самара (846)206-03-16
Санкт-Петербург (812)309-46-40
Саратов (845)249-38-78
Севастополь (8692)22-31-93
Симферополь (3652)67-13-56
Смоленск (4812)29-41-54
Сочи (862)225-72-31
Ставрополь (8652)20-65-13
Таджикистан (992)427-82-92-69

Сургут (3462)77-98-35
Тверь (4822)63-31-35
Томск (3822)98-41-53
Тула (4872)74-02-29
Тюмень (3452)66-21-18
Ульяновск (8422)24-23-59
Уфа (347)229-48-12
Хабаровск (4212)92-98-04
Челябинск (351)202-03-61
Череповец (8202)49-02-64
Ярославль (4852)69-52-93

<https://tsurumi.nt-rt.ru/> || tmy@nt-rt.ru

MR

SUBMERSIBLE MIXERS

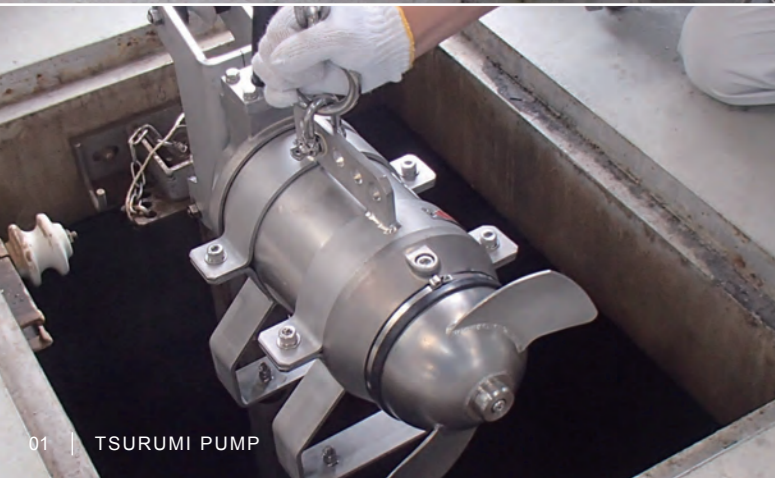


Submersible Mixers

- The highly-efficient shape of the propeller, which is directly connected with the submersible motor, provides a powerful jet of water.
- The oil chamber incorporates an electrode type leakage sensor to detect for water intrusion into the chamber. (1.5kW and above)
- Tsurumi submersible mixers are available in wide variations. Lineups include models without a guide ring to improve the mixing effect while increasing water flow, models with a guide ring that provides an excellent flow regulating effect, and low-water level models that are applicable with a minimum operating water level of 500mm. The cast iron type or stainless steel casting type can be selected according to field applications.
- The mixers can be used for either aerobic/aeration treatment that mixes water and air, or anaerobic treatment that does not mix air into the water.
- When used in combination with lifting equipment (optional), the mixer can be easily inspected and serviced without entering the tank.

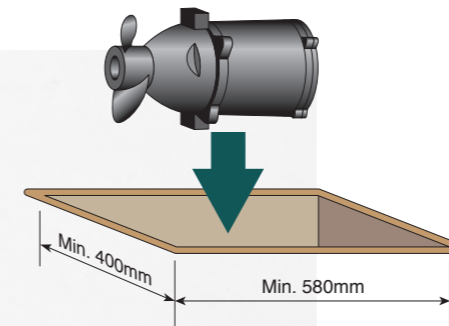
Applications

- For industrial wastewater treatment and tap water/sewage treatment
- For environmental conservation in ponds and rivers
- For artificial water flow in amusement facilities
- For mixing, stirring, dissolving, density equalization and aeration



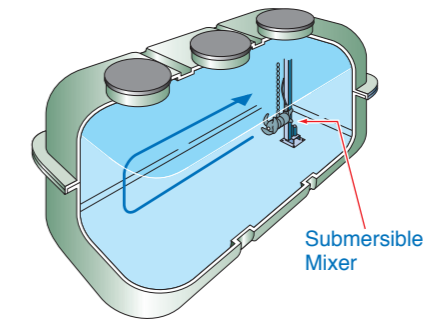
Tsurumi submersible mixers are available in wide variations that can be selected according to application.

Compact Design



The compact type MR-series (0.75kW and below) is easy to handle and can be smoothly inserted through narrow openings (400 x 580mm) for installation in small treatment tanks.

Septic Tank/Johkasou or Factory Production Type



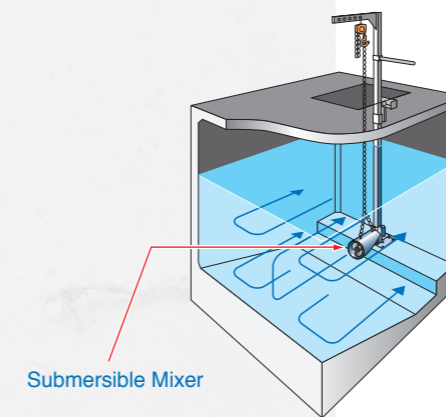
The MR-series is effective in equalizing water quality while preventing the sedimentation of solids. Also, when used in combination with an air diffuser, the MR-series effectively improves aerobic/aeration treatment efficiency and anaerobic mixing, as with an aerator.

Without/With Guide Ring Type



MR-series

Denitrifying Wastewater Treatment



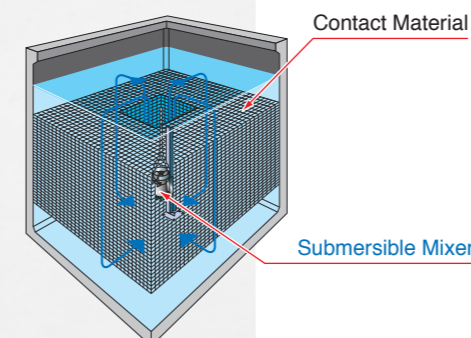
The MR/MRL-series are effective towards preventing the sedimentation of solids and equalizing water quality in flow rate regulating tanks and intermediate flow rate regulating tanks that do not need air (oxygen).

Low Water Level Type



MRL-series

Contact Tank



The MRT-series is used to generate a circulating flow in denitrifying contact tanks, etc. The simple structure of the MRT-series is suitable for small-scale treatment facilities where maintenance/inspection space is limited.

Vertical Top-discharge Type

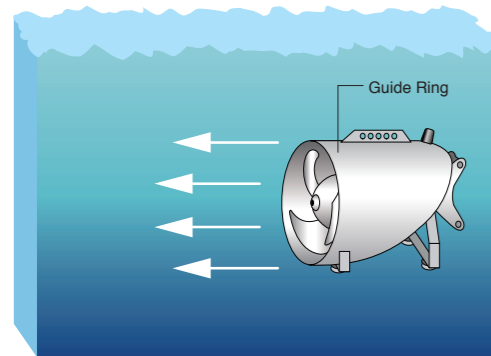


MRT-series

MRL (Low Water Level Type)



Cast Iron Type



Model Selection 50Hz

Model	Motor Output kW	Pole	Propeller Rotation Speed min ⁻¹	Flow Rate m ³ /min	Fresh Water Mixing Output kW	Reaction Force N	Dry Weight kg	Propeller Nominal Dia. mm
MRL21GF250	0.25	4	1420	1.91	0.09	45	27	155
MRL21GF400	0.4	4	1420	2.67	0.13	72	27	185
MRL21GF750	0.75	4	1410	3.44	0.27	117	27	190
MRL2541EC/CR	0.75	6	942	4.8	0.61	160	39	270
MRL31GF/GR1.5	1.5	6	910	6.2	0.9	120	50	300
MRL32GF/GR1.5	1.5	6	910	6.6	1.0	130	50	300
MRL33GF/GR1.5	1.5	6	910	8.1	1.2	185	50	300
MRL31GF/GR2.8	2.8	6	915	9.5	2.1	225	61	300
MRL32GF/GR2.8	2.8	6	915	10.2	2.2	265	61	300
MRL33GF/GR2.8	2.8	6	915	11.0	2.4	300	61	300

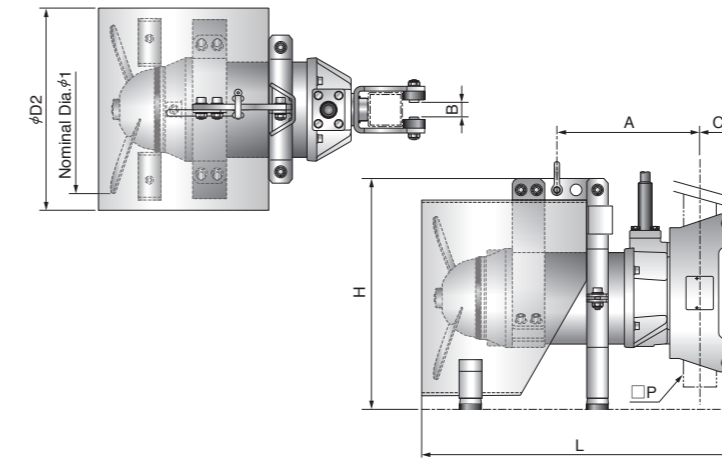
* TOMRL type lifting device is also available. For details, contact your dealer.

Model Selection 60Hz

Model	Motor Output kW	Pole	Propeller Rotation Speed min ⁻¹	Flow Rate m ³ /min	Fresh Water Mixing Output kW	Reaction Force N	Dry Weight kg	Propeller Nominal Dia. mm
MRL21GF250	0.25	4	1700	1.32	0.06	37	27	145
MRL21GF400	0.4	4	1700	1.7	0.10	55	27	155
MRL21GF750	0.75	4	1690	3.02	0.22	101	27	185
MRL2541EC/CR	0.75	6	1126	4.2	0.67	150	39	240
MRL31GF/GR1.5	1.5	6	1085	7.7	1.1	160	50	300
MRL32GF/GR1.5	1.5	6	1085	8.0	1.2	180	50	300
MRL31GF/GR2.8	2.8	6	1090	10.4	2.0	275	61	300
MRL32GF/GR2.8	2.8	6	1090	11.3	2.3	310	61	300

* TOMRL type lifting device is also available. For details, contact your dealer.

Dimensions 50/60Hz



Unit: mm

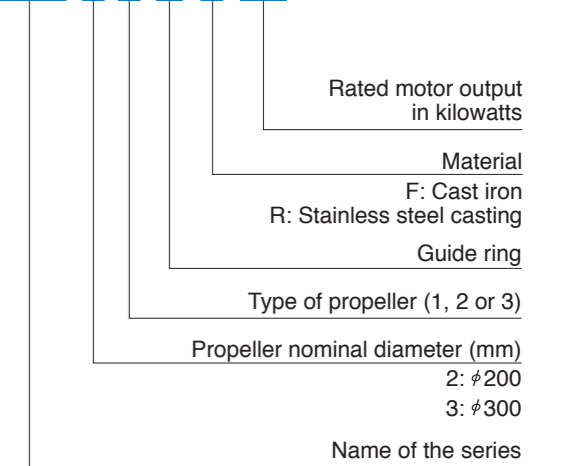
Model	D1	D2	L	H	A	B	C	P
MRL21GF250	155/145	289	498	294	230	20	30	50
MRL21GF400	185/155	289	498	294	230	20	30	50
MRL21GF750	190/185	289	498	294	230	20	30	50
MRL2541EC/CR	270/240	319	495	393	208	21	67	50
MRL31GF/GR1.5	300	355.6	576	421	260	26	70	60
MRL32GF/GR1.5	300	355.6	576	421	260	26	70	60
MRL33GF/GR1.5	300	355.6	576	421	260	26	70	60
MRL31GF/GR2.8	300	355.6	626	421	270	26	70	60
MRL32GF/GR2.8	300	355.6	626	421	270	26	70	60
MRL33GF/GR2.8	300	355.6	626	421	270	26	70	60

* Dimension "A" is a reference value.

Model Number Designation

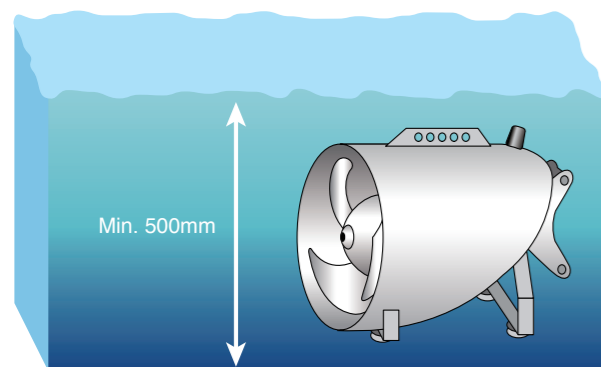
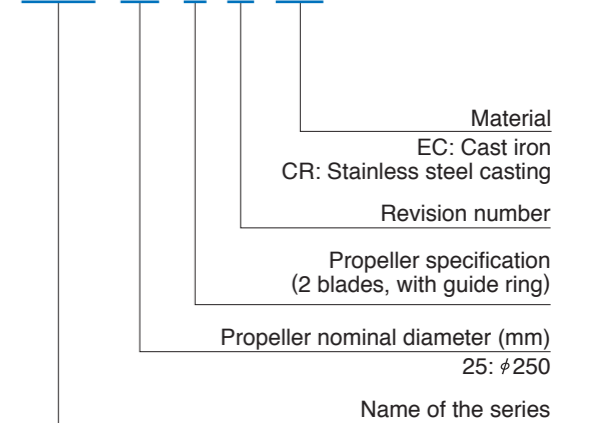
MRL200/300-series

MRL 3 1 G F 1.5

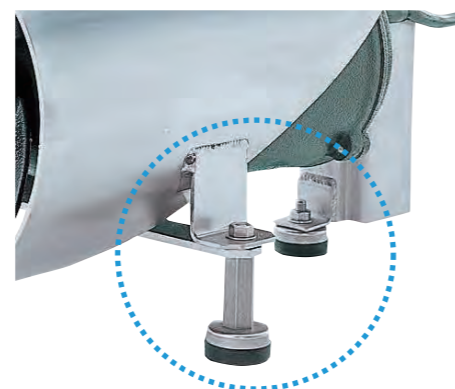


MRL250-series

MRL 25 4 1 EC



Applicable with a minimum operating water level of 500mm.



The mixer body has rubber feet, enabling installation at the bottom of a tank.

Архангельск (8182)63-90-72
Астана (7172)727-132
Астрахань (8512)99-46-04
Барнаул (3852)73-04-60
Белгород (4722)40-23-64
Брянск (4832)59-03-52
Владивосток (423)249-28-31
Волгоград (844)278-03-48
Вологда (8172)26-41-59
Воронеж (473)204-51-73
Екатеринбург (343)384-55-89
Иваново (4932)77-34-06

Ижевск (3412)26-03-58
Иркутск (395)279-98-46
Казань (843)206-01-48
Калининград (4012)72-03-81
Калуга (4842)92-23-67
Кемерово (3842)65-04-62
Киров (8332)68-02-04
Краснодар (861)203-40-90
Красноярск (391)204-63-61
Курск (4712)77-13-04
Липецк (4742)52-20-81
Киргизия (996)312-96-26-47

Магнитогорск (3519)55-03-13
Москва (495)268-04-70
Мурманск (8152)59-64-93
Набережные Челны (8552)20-53-41
Нижний Новгород (831)429-08-12
Новокузнецк (3843)20-46-81
Новосибирск (383)227-86-73
Омск (3812)21-46-40
Орел (4862)44-53-42
Оренбург (3532)37-68-04
Пенза (8412)22-31-16
Казахстан (772)734-952-31

Пермь (342)205-81-47
Ростов-на-Дону (863)308-18-15
Рязань (4912)46-61-64
Самара (846)206-03-16
Санкт-Петербург (812)309-46-40
Саратов (845)249-38-78
Севастополь (8692)22-31-93
Симферополь (3652)67-13-56
Смоленск (4812)29-41-54
Сочи (862)225-72-31
Ставрополь (8652)20-65-13
Таджикистан (992)427-82-92-69

Сургут (3462)77-98-35
Тверь (4822)63-31-35
Томск (3822)98-41-53
Тула (4872)74-02-29
Тюмень (3452)66-21-18
Ульяновск (8422)24-23-59
Уфа (347)229-48-12
Хабаровск (4212)92-98-04
Челябинск (351)202-03-61
Череповец (8202)49-02-64
Ярославль (4852)69-52-93

<https://tsurumi.nt-rt.ru/> || tmy@nt-rt.ru